

MILD STEEL SEQUESTR EXTERNAL DISCONNECT ENCLOSURE, TYPE 12



- Interlocks with doors of main control enclosure when the disconnect switch is powered ON
- Maintains UL Type 12 rating
- Provision for pass-through power into the main enclosure—blank plate for customer modification
- Preferred disconnect cutout
- Quarter-turn slotted latches
- Removable door with hidden hinges
- Bonding provision on door
- Conductive back panel included
- Installation hardware and templates included

FINISH

- ANSI 61 gray polyester powder paint inside and out
- Included panel has conductive finish

ACCESSORIES

Door Stop Kit
IR Windows

INDUSTRY STANDARDS

UL 508A Listed; Type 12; File No. E61997
cUL Listed per CSA C22.2 No. 94; Type 12; File No. E61997

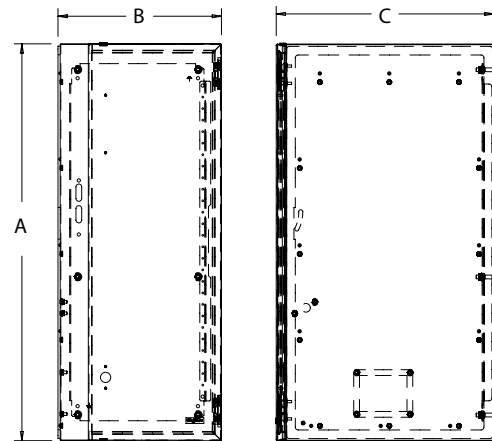
NEMA/EEMAC Type 12
CSA File No. 42186; Type 12
IEC 60529, IP55

APPLICATION

Retrofit disconnect enclosures to isolate incoming power and help mitigate arc flash occurrences by moving the disconnect switch to the SEQUESTR enclosure. Power is passed-through to the main enclosure. The SEQUESTR enclosure is sized for use with up to 200A disconnect switches and designed to fit with bulletins A28 and A34 main enclosures.

SPECIFICATIONS

- 16 gauge steel
- Seams continuously welded and ground smooth
- Hinged on right side



87923295

BULLETIN: A70D

Standard Product **External Disconnect Enclosure including back panel**

Catalog Number	A (in.)	A (mm)	B (in.)	B (mm)	C (in.)	C (mm)
AXD18	34.45	875	14.00	356	18.12	460
AXD20	34.45	875	14.00	356	20.12	511
AXD24	34.45	875	14.00	356	24.12	613

SEQUESTR EXTERNAL DISCONNECT ACCESSORIES



Optional Terminal Plates and Replacement Conductive Panel for SEQUESTR External Disconnect Enclosures.

BULLETIN: A70D

Catalog Number	Description	Panel Gauge	Panel Size in./mm
A31P12G	Conductive panel	16	31.00 x 12.16 787 x 309
ATBP3060	Terminal plate for 30 and 60 amp switches	-	-
ATBP100	Terminal plate for 100 amp switches	-	-
ATBP200	Terminal plate for 200 amp switches	-	-

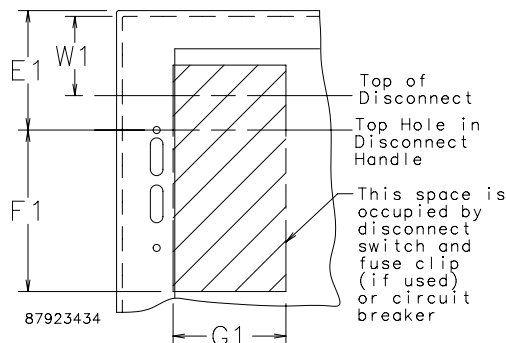
Terminal Plates rated IP20

DISCONNECT MOUNTING SPACE

Disconnects are located by dimension E1. Wiring space W1 is available when disconnect is installed in the enclosure. See the Hoffman Specifier's Guide Technical Information chapter for E1 Spacing by Enclosure Height for various disconnect switch manufacturers.

Refer to **National Electrical Code® 2008** article 430.10(B) for wiring space required for line side conductors to be connected to disconnect. **Verify your application to determine if wiring space is adequate.**

Consult Space Occupied by Disconnect drawing to determine whether the disconnect device you are using will fit the enclosure size you have selected.



Consult disconnect manufacturer for F1 and G1 dimensions.

MILD STEEL SEQUESTR PREFERRED-CUTOUT OVERVIEW



These enclosures will NOT accept Allen-Bradley Bulletin 1494F disconnect devices or Bulletin 1494D circuit breaker operators.

Schneider Square D® Class 9422 disconnect switches with flange-mount left-hand variable-depth operating mechanisms and Class 9422 flange-mount left-hand variable-depth operating mechanisms for circuit breakers.

These enclosures will NOT accept Square D Class 9422 bracket-mounted disconnect devices, Class 9422TG1 or TG2 devices.

APPLICATION

The SEQUESTR enclosures have the standard preferred cutout on the left-hand flange. They accept up to 200A disconnect switches from Allen-Bradley and Schneider Square D.

SEQUESTR cutouts are designed to house the following:

Allen-Bradley

- Bulletin 1494V DSX left-hand disconnect switches with flange-mount variable-depth operating mechanisms and Bulletin 1494V flange-mount variable depth operating mechanisms for circuit breakers.
- Bulletin 1494U Allen-Bradley universal disconnect switches with flange-mount handles for either variable-depth or cable-operated mechanisms.

ORDERING

Disconnect switch (or circuit breakers), operating handle and operating mechanism are not furnished with enclosure. Consult the Hoffman Specifier's Guide Technical Information chapter for wire bend information. Consult drawings to match the disconnect device you are using with the correct enclosure size.

A complete assembly consists of:

1. An enclosure
2. Door interlock brackets
3. Door latching system (2-point on SEQUESTR Enclosure, 3-point on main control cabinet doors)
4. Instructions to locate and install disconnect
5. Grounding hardware kit
6. Conductive panel in SEQUESTR External Disconnect Enclosure